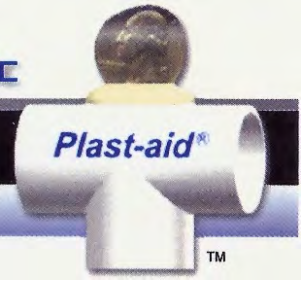


# Plast-aid®

## Multi-Purpose Repair Plastic

More Than Just A Glue™



**PLA-1.5 \$13.40, PLA-6 \$22.84**

**Molecularly bonds to PVC, ABS, Lexan, CPVC and other plastics commonly used in pools and spas.**



Available in two sizes  
6 oz, and 1.5 oz.



Plast-aid\* is a multi-purpose repair plastic used for thousands of repair solutions! Unlike anything on the market today, Plast-aid\* forms a hard, durable, waterproof plastic in only 15 minutes!

Plast-aid\* is a two part compound consisting of a liquid and powder. When combined, Plast-aid\*'s unique curing process begins. As it thickens, Plast-aid\* transforms from a castable liquid, to a glue, to a putty, to a clay, and finally to a hard, durable, waterproof plastic. This progression makes Plast-aid\* an incredibly unique and versatile tool allowing it to be cast into molds, used to repair breaks and fill gaps, formed into shapes for custom parts, and much much more!



### Plumbing

- »Unsurpassed for PVC plumbing repair! Don't cut out damaged PVC, simply & permanently patch it with Plast-aid\* in only 15 minutes!
- »Make custom fittings & threaded adaptors.



### Pool & Spa

- »Repair pools & spas, skimmers, holes, cracks, leaky PVC etc. in only 15 minutes!
- »Plast-aid\* repairs are fast, waterproof & permanent.



### Plast-aid\* can be Colored & Made into Parts

- »Color Plast-aid\* with artist acrylic or wood stain.
- »After Plast-aid\* cures, drill, cut, file & polish your custom parts.

**THIS STUFF IS AMAZING**

**YOU'VE GOT TO TRY IT**

Talk about a "GREEN" product. Plast-aid\* resurrects items normally declared "scrap"

\* Plast-aid is patented and a registered trademark of Plast-aid Corporation

## Eyeball Seat Wrench III

ESW-3 \$42.01

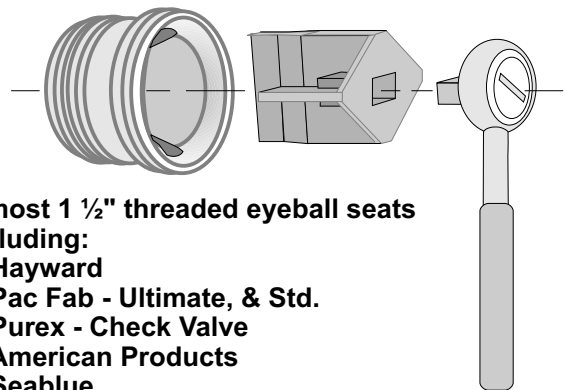


- Machined from a solid block of aluminum.
- Fits most 1 1/2" threaded eyeball seats made in the last 30 years.

Does not work with "Flush" eyeballs. For flush eyeball capability see our ESW-2

## EYEBALL SEAT WRENCH

ESW-1 \$11.23



- Fits most 1 1/2" threaded eyeball seats**  
Including:
- Hayward
  - Pac Fab - Ultimate, & Std.
  - Purex - Check Valve
  - American Products
  - Seablue

**Torque Provided by your standard 3/8" ratchet wrench or channel lock pliers.**

**Provides balanced torque when used as directed.**

**Strong PVC construction.**



**Pool Service Products**

223 Altamonte Commerce Blvd. - Suite 1310  
Altamonte Springs, FL 32714

gld2627

(407) 682-6900

(800) 683-4500

Fax (407) 682-2180