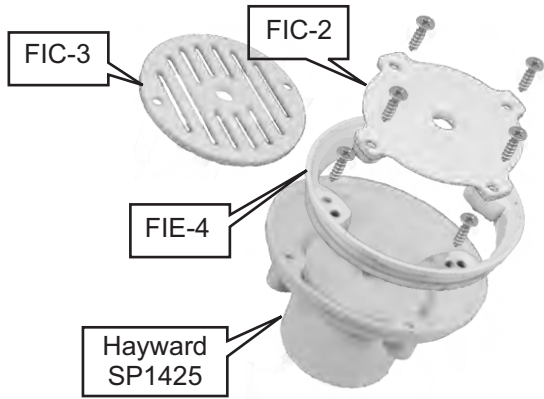


# REFURBISHING AIDS

## Floor Inlet Extender

- ◆ Extends Hayward model SP1425 floor inlet fitting by 1/2".
- ◆ Pressure connected.

FIE-1, FIE-2, FIE-3, FIE-4, FIC-1, FIC-2, FIC-3  
 \$10.30, \$11.88, \$11.88, \$8.56, \$10.46, \$5.72, \$5.14

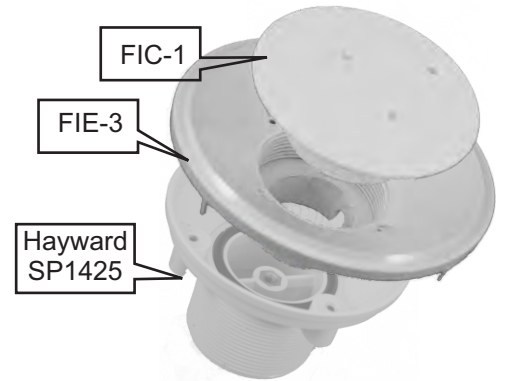
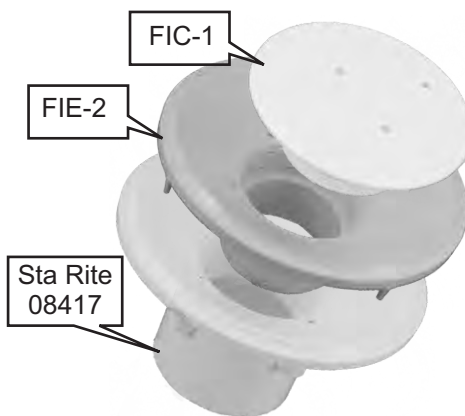
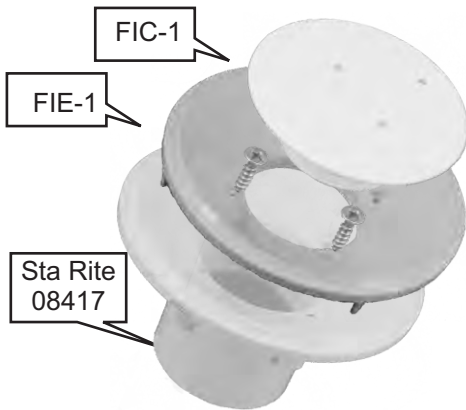


- ◆ Attaches firmly to present fitting.
- ◆ Eliminates the need to cut away surface material when preparing to resurface a pool.
- ◆ Maintains the ability to adjust the flow at each fitting by adjusting the deflector plate.
- ◆ Saves time.
- ◆ Results in a better job.
- ◆ Stackable if more extension is needed.
- ◆ Cost effective.
- ◆ PATENT PENDING

- ◆ Extends Sta Rite model 08417 floor inlet fitting by 1/2".
- ◆ Pressure connected.

- ◆ Extends Sta Rite model 08417 floor inlet fitting 7/8" to 1 1/4".
- ◆ Threaded connection.

- ◆ Extends Hayward model SP1425 floor inlet fitting by 3/4".
- ◆ Glued connection.



## Floor Inlet Extender Kits

- ◆ Each Kit contains:  
 One Floor Inlet Extender  
 One Inlet Cover  
 All the screws needed to install
- ◆ Each kit is poly bagged

FIK-1, FIK-2, FIK-3, FIK-4D, FIK-4G  
 \$20.49, \$20.49, \$20.49, \$17.06, \$16.51

