

REFURBISHING AIDS

POP-UP HEAD EXTENDER

PUHE-1, \$15.71, PUHE-2, \$15.71
White Gray

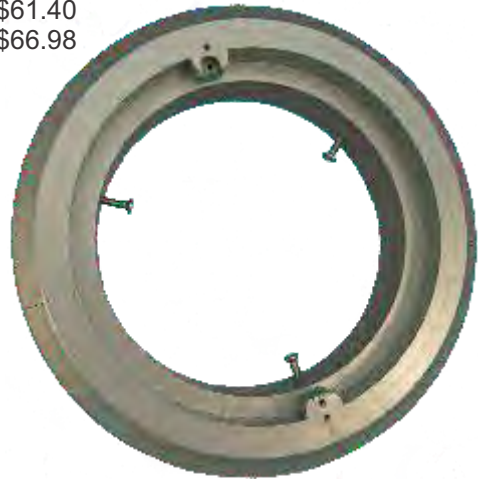


- ◆ Eliminates prep work
- ◆ Fits most size heads with removable center for larger heads
- ◆ Cover prevents surface material from getting in heads
- ◆ No need to remove heads: Just glue down & remove protective cover after plastering

LIGHT ADAPTER

See page 13 for more details

LAD - 3, \$61.40
LAD - 4, \$66.98



Return Plumbing Extenders

RPE-1.5S, \$7.20
Extends 1 1/2" Standard Female Threaded Fittings by 3/4" to 1".



- ◆ Ideal for pools being resurfaced.
- ◆ Extends IN-THE-WALL fittings to compensate for additional surface's thickness.
- ◆ White PVC material.

RPE-1.5T, \$8.86
Extends 1 1/2" Trim Mount Eyeball Fittings by 3/4" to 1".



RPE-1.5F, \$7.20
Extends 1 1/2" Flush Mount Eyeball Fittings by 3/4" to 1".



IMPORTANT: When installing a Return Plumbing Extender be sure to seal the male threads with Teflon tape or silicone so as to avoid "behind the surface leaks".

GUTTER DRAIN GRATES

GDG-1, GDG-2, GDG-6
\$3.33, \$3.33, \$8.99

- ◆ 2" X 4" Gutter Drain Grate
- ◆ GDG-1 White ABS construction
- ◆ GDG-2 Black ABS construction



- ◆ 2" X 6" Gutter Drain Grate
- ◆ GDG-6 White ABS construction.

GUTTER DRAIN EXTENDER

GDE-1 White ABS, \$9.81
GDE-2 Black ABS, \$9.81

- ◆ Extends Standard 2" x 4" gutter drain by 1/2".
- ◆ Holds itself in position while glue or silicone dries.
- ◆ Receives standard 2" x 4" grates.



GUTTER DRAIN EXTENSION KIT

GDK-1 White, \$11.07
GDK-2 Black, \$11.07

Includes:

- ◆ 1 ea. Gutter Drain Grate
- ◆ 1 ea. Gutter Drain Extender
- ◆ 2ea. Stainless Steel Screws.
- ◆ Completely Assembled

